

Warewashing green&clean hood type Dishwasher, Manual with ESD, ZERO LIME Device & Filtering System

ITEM # _____

MODEL # _____

NAME # _____

SIS # _____

AIA # _____


504254 (EHT8IELG)

Green & Clean Hood Type Dishwasher, Manual double skin hood with ESD, ZERO LIME Device, Filtering System, Detergent and Rinse aid dispensers, 80racks/hour - 400 V/3N/50 Hz

Short Form Specification

Item No. _____

Unit to be Electrolux Professional Green & Clean upright hood type hot water rinsing dishwasher with WASH SAFE CONTROL. Electrical characteristics to be __400 volts, three phase 50Hz operation, convertible to single phase on-site. Uses 2 liters of clean water per final rinse cycle. 84°C rinse temperature and pressure guaranteed by built in atmospheric boiler and built in rinse booster pump. Washing performance is guaranteed by a powerful 0.8 kW wash pump and upper and lower stainless steel revolving washing spray arms. Energy Saving Device recovers the heat inside the machine to heat-up the incoming water to the boiler. ZERO LIME Device automatically descales the whole hydraulic circuit and washing chamber. Unit to feature "WASH SAFE CONTROL" led light. Green light will indicate that all items washed have been properly rinsed. CLEAR BLUE filtering system removes majority of soil from the wash water. 304 Stainless steel construction to include double skin insulated hood, external, front and side panels, wash tank, tank filter plus wash and rinse arms. Unit shall be field convertible from straight to corner operation. The unit shall include drain pump, detergent and rinse aid dispenser pumps and is equipped with flexible fill hoses. Delivered on height-adjustable feet.

Main Features

- CLEAR BLUE advanced filtering system provides cleaner wash water and higher active detergent thus ensuring better washing performances and lower running costs.
- Built-in atmospheric boiler sized to raise incoming cold water to a minimum of 84 °C for sanitizing rinse. No external boiler is required. Constant temperature of 84 °C throughout the rinsing cycle regardless of the network's water pressure.
- Green light of "WASH SAFE CONTROL" confirms that items have been rinsed properly.
- Unique temperature interlock guarantees required temperatures in both the wash and final rinse in case of emergency cold water feeding.
- Incorporated Soft Start feature to offer additional protection to more delicate items.
- Slanted wash arms and sloped ceiling to avoid detergent-filled wash water dropping on clean dishes after the rinsing phase, thus guaranteeing ideal washing results.
- Cycle may be interrupted at any time by lifting the hood.
- Automatic self-cleaning cycle and self-draining vertical wash pump and boiler to avoid bacteria proliferation.
- State-of-the-art electronic controls with built-in programming, self-diagnostics for serviceability and automatic interior self-cleaning cycle.
- Built-in rinse aid and detergent dispenser with automatic initial and continuous cycle loading for perfect result while minimizing service and maintenance needs.
- Boiler power setting from control panel to facilitate technician's operation when reducing total installed power, thus avoiding the need of machine opening.
- Three phase electrical connection, convertible to single phase on-site.
- IP25 protection against water jets, solid objects and small animals (larger than 6 mm).
- NSF/ANSI 3 and DIN 10512 compliant.
- Maximum capacity per hour of 80 racks or 1.440 dishes (High productivity mode) easy to switch to 63 racks or 1.134 dishes (NSF/ANSI 3 mode) by pressing a button.
- 45/84/150 seconds cycles (High productivity mode); 57/84/150 seconds cycles (NSF/ANSI 3 mode).

APPROVAL: _____



Construction

- Heavy duty Stainless steel construction. Internal cavity as well as exterior panels are in 304 series Stainless steel.
- Pressed tank in front position to facilitate cleaning.
- Double skin insulated hood.
- Specially designed Stainless steel wash/rinse arms and nozzles provide superior cleaning action.
- Revolving interchangeable Stainless steel wash/rinse arms above and below the rack, screw out for simple clean up.
- Pre-arranged for on-site HACCP implementation and Energy Management device.
- Element protection from dry fire and low water.
- Unit to include drain, detergent and rinse aid dispenser pumps

Sustainability



- Built-in high efficiency Energy Saving Device (ESD) transfers the heat captured inside the machine to the incoming cold water before entering the boiler, thus saving energy; no ventilation hood is needed for the machine (depending on local regulation and conditional on compliance with VDI 2052).
- ZERO LIME Device ensures total scale removal from the boiler, the hydraulic circuits and the washing chamber allowing ultimate performances and lower energy consumption thanks to the high-efficiency heating element.
- Requires only 2 liters of water per washing cycle thus ensuring low energy, water, detergent and rinse aid consumption.

Included Accessories

- 2 of Yellow cutlery container PNC 864242
- 1 of Basket for 18 dinner plates - yellow PNC 867002
- 1 of Basket for 48 small cups or 24 cups - blue PNC 867007

Optional Accessories

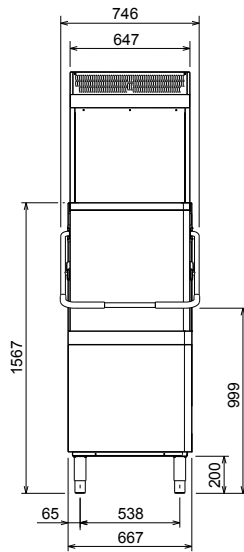
- Kit 8 plastic boxes for cutlery - yellow PNC 780068
- 12lt external manual water softener PNC 860412
- 8lt external automatic water softener PNC 860413
- 20lt external manual water softener PNC 860430
- Connectivity kit for Double Skin Hood Type Dishwashers (ECAP) PNC 864007
- Stainless steel inlet hose kit PNC 864016
- Filter for partial demineralization PNC 864017
- Kit to measure total and partial water hardness PNC 864050
- Yellow cutlery container PNC 864242
- Filter for total demineralization PNC 864367
- Front control panel for double skin hood type dishwasher PNC 864372
- External reverse osmosis filter for single tank Dishwashers with atmosphere boiler and Ovens PNC 864388
- Pressure reducer for single tank dishwasher PNC 864461
- Kit of rack and support to wash fryer basket PNC 864463
- Kit of 100mm feet for Hood Type Dishwasher PNC 864464
- Connecting kit for duet manual hood type dishwasher PNC 865264
- Feet for Hood type dishwashers - marine PNC 865492
- Extra heavy rack support for hood type dishwasher PNC 865493
- Kit 4 plastic boxes for cutlery - yellow PNC 865574
- Basket for 6 trays 530x370 mm - red PNC 866743
- Basket for 12 soup bowls - green PNC 867000
- Basket for 18 dinner plates - yellow PNC 867002
- Basket for 48 small cups or 24 cups - blue PNC 867007
- Basket for bulk cutlery-capacity: 100 pieces - brown PNC 867009
- Cover rack for small and light items (500x500 baskets) PNC 867016
- Baskets for 25 tilted glasses (h 120 mm - diam 80 mm) - blue PNC 867021
- Basket for 16 vertical glasses (h 70 mm - diam 100 mm) - blue PNC 867023
- Basket semi-professional 500x500x190mm PNC 867024
- Baskets for 16 tilted glasses (h 220 mm - diam 100 mm) - blue PNC 867040



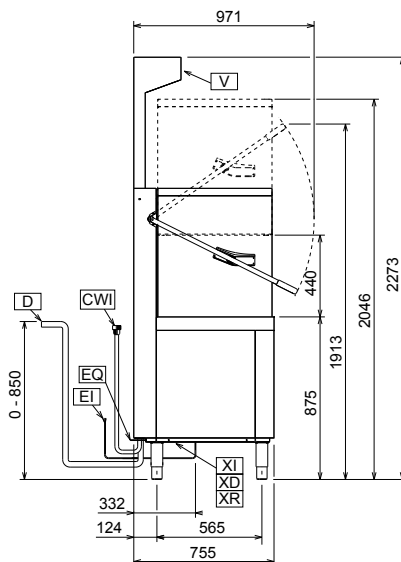
Electrolux
PROFESSIONAL

Warewashing
green&clean hood type Dishwasher, Manual
with ESD, ZERO LIME Device & Filtering System

Front

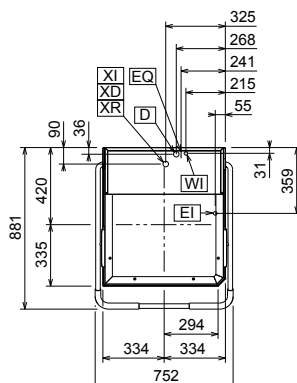


Side



- | | |
|--------------------------------------|--------------------------------|
| CWI1 = Cold Water inlet 1 (cleaning) | XI = Chemicals inlet (generic) |
| D = Drain | XR = Rinse aid connection |
| EI = Electrical inlet (power) | |
| EQ = Electrical Outlet | |
| V = Vents | |
| WI = Water inlet | |
| XD = Detergent connection | |

Top



Electric

Supply voltage:	
504254 (EHT8IELG)	400 V/3N ph/50 Hz
Convertible to:	230V 1N~; 230V 3~
Default Installed Power:	9.9 kW
Boiler Heating Elements Power:	9 kW
Tank heating elements:	3 kW

Water:

Drain line size:	20.5mm
Inlet water supply pressure:	0.5-7 bar
Boiler Capacity (lt):	12
Tank Capacity (lt):	24

Key Information:

N° of cycles:	3
Duration cycle:*	45/84/150 sec.
Duration cycle - NSF/ANSI 3 compliant:	57/84/150 sec.
Racks per hour:*	80
Racks per hour - NSF/ANSI 3 compliant:	63
Dishes per hour:*	1440
Dishes per hour - NSF/ANSI 3 compliant:	1134
Wash temperature:	75 °C
Wash temperature - NSF/ANSI 3 compliant:	75 °C
Rinse temperature:	84 °C
External dimensions, Width:	752 mm
External dimensions, Depth:	755 mm
External dimensions, Height:	2273 mm
Net weight:	150 kg
Shipping weight:	136 kg
Shipping weight (ESD):	36 kg
Shipping volume:	1.26 m ³
Shipping volume (ESD):	0.33 m ³
Packaging size (WxDxH):	930x790x1720 mm
Packaging size ESD (WxDxH):	740x930x480 mm

Air Emission:

Air Flow:	28 m ³ /h
Air temperature:	26 - 29 °C
Air humidity:	55%

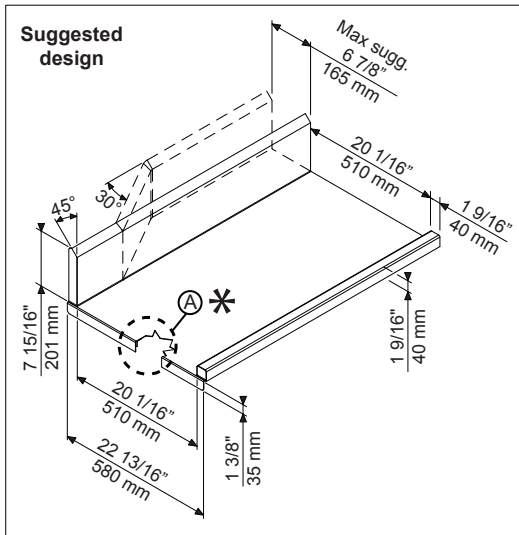
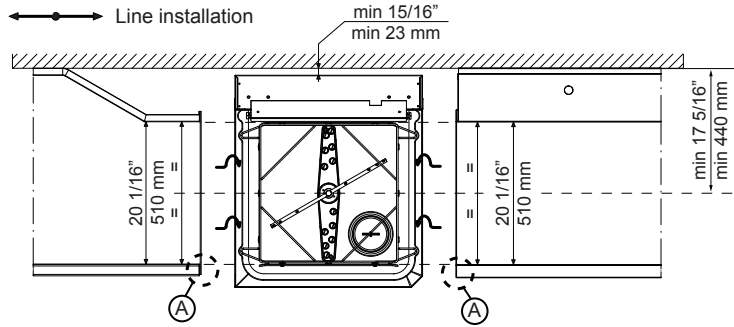
* productivity guaranteed at any supply temperature allowed in the range above. To ensure full energy recovery, an extra 11 seconds is required.

Latent heat:	350 W
Sensible heat:	1490 W

Sustainability

Water supply temperature*:	10-20 °C
Water consumption per cycle (lt):	2
Noise level:	<63 dBA

Recommended table connection



All tables must be connected to the dishwashing units according to local regulations and industry standards which may differ from the recommendations herein suggested. Electrolux Professional is not liable for any failure in complying with local design standards.

Doc Nr : 59566BF00